



## TOSA-LC 25Gbps 1310nm DFB

### Features:

Low threshold current  
High bandwidth

### Applications:

25Gigabit Ethernet  
25G Fiber Channel

### Specifications

#### Absolute Maximum Ratings:

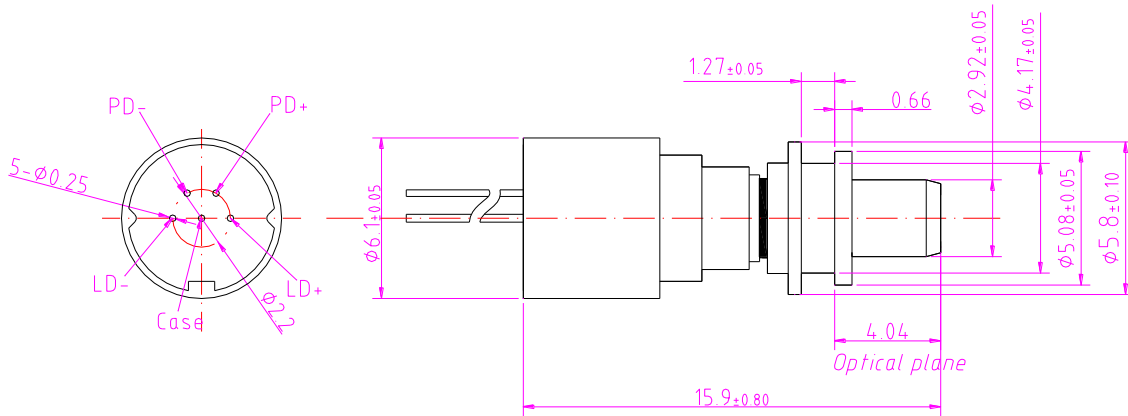
Parameter	Symbol	Min	Max.	Unit
LD Reverse Voltage	$V_{r(LD)}$	--	2	V
LD Forward Current	$I_{f(LD)}$	--	100	mA
MPD Forward Current	$I_{f(PD)}$	--	1	mA
MPD Reverse Voltage	$V_{r(PD)}$	--	6	V
Operating Temperature	$T_{op}$	-5	85	
Storage Temperature	$T_{stg}$	-40	100	
Lead Solder Temperature	--	--	260	
Lead Soldering Time	--	--	10	s

#### Electro-Optical Characteristics:

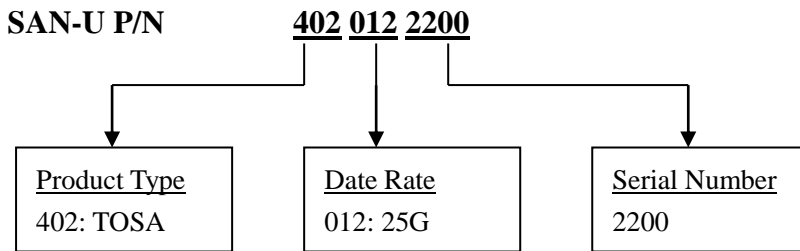
Parameter	Symbol	Test Condition	Min	Typ	Max	Unit
Threshold Current	I <sub>th</sub>	T <sub>C</sub> =25	--	12	--	mA
		T <sub>C</sub> =85	--	30	--	
Forward Voltage	V <sub>f</sub>	I <sub>op</sub> =I <sub>th</sub> +30mA	--	1.3	--	V
Monitor Current(MPD)	I <sub>m</sub>	I <sub>op</sub> =I <sub>th</sub> +30mA	100	--	1000	uA
Dark Current(MPD)	I <sub>d</sub>	V <sub>r</sub> =5V	--	--	100	nA
Optical Output Power	P <sub>o</sub>	I <sub>op</sub> =I <sub>th</sub> +30mA	0.72	--	1.11	mW
Slope efficiency	SE	I <sub>op</sub> =I <sub>th</sub> +30mA	0.024	--	0.037	mW/mA
Central Wavelength		I <sub>op</sub> =I <sub>th</sub> +30mA	1300	1310	1320	nm
Spectral Width , -20dB		I <sub>op</sub> =I <sub>th</sub> +30mA	--	--	1	nm
Side-mode suppression Ratio	SMSR	I <sub>op</sub> =I <sub>th</sub> +30mA	30	--	--	dB
Rise/Fall Time	T <sub>r</sub> /t <sub>f</sub>	20-80%	--	20	--	ps
Tracking Error	TE	-5 ~85	-1.5	--	+1.5	dB
Optical Return Loss	ORL	--	--	--	35	dB



### Mechanical Dimension and Pin Assignment:



### Order Information:



### Statement

SAN-U owns the authority for final explanation of all information contained in this document, which is subject to change without notice. All the information was obtained in particular environments; and SAN-U information contained is only for the users' reference and shall not be considered as warranted characteristics. SAN-U will not be liable for damages arising directly or indirectly which from any use of the information contained in this document.

### Contact Information:

Address: N501-505 Weiye Bldg., Xiamen Pioneering Park For Overseas Chinese Scholars, Xiamen, Fujian, China

Tel: +86-592-3898601, 3898608, 5318000

Fax: +86-592-5703588

Email: sales@san-u.com

<http://www.san-u.com>