



---

## PD60-TO46-BL Series

### Features

### Applications

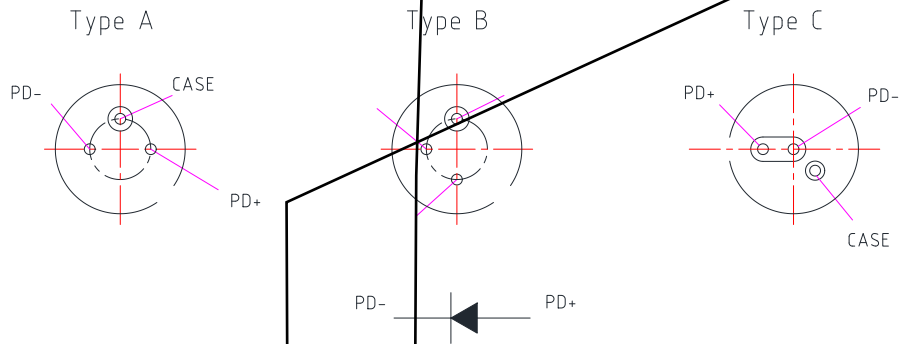
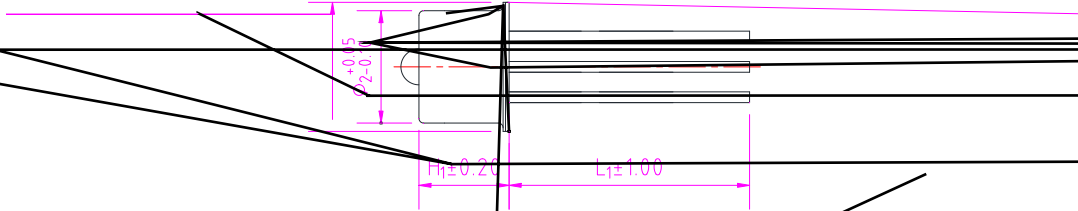
### Specifications



--	--	--	--



## Mechanical Dimension and Pin Assignment:





---

---

---

---

---