



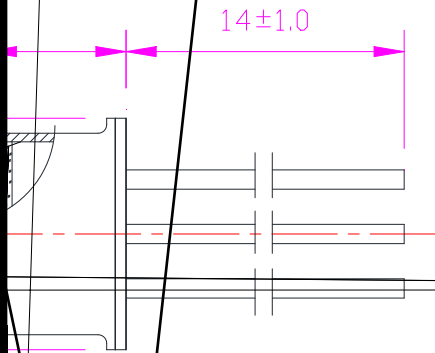
**Absolute Maximum Ratings:**

Parameter	Symbol	Min.	Max.	Unit

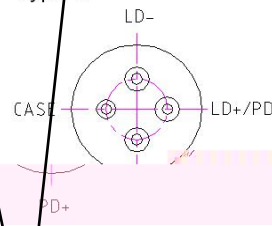
**Characteristics Ta=25 unless otherwise noted**

Parameter	Symbol	Test Conditions	Min.	Typ.	Max.	Unit
	$\lambda$					
	$\Delta\lambda$					
	$\eta$					
						$\mu$

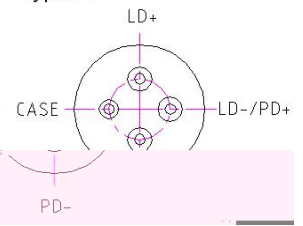
**4pin-FW:**



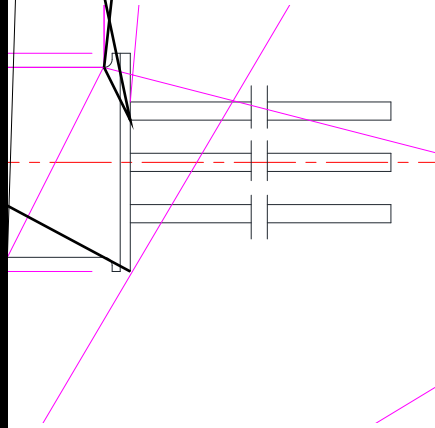
Type G



Type H



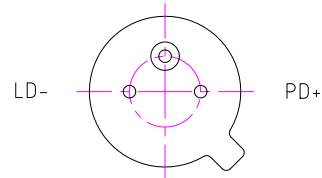
**3pin-FW:**



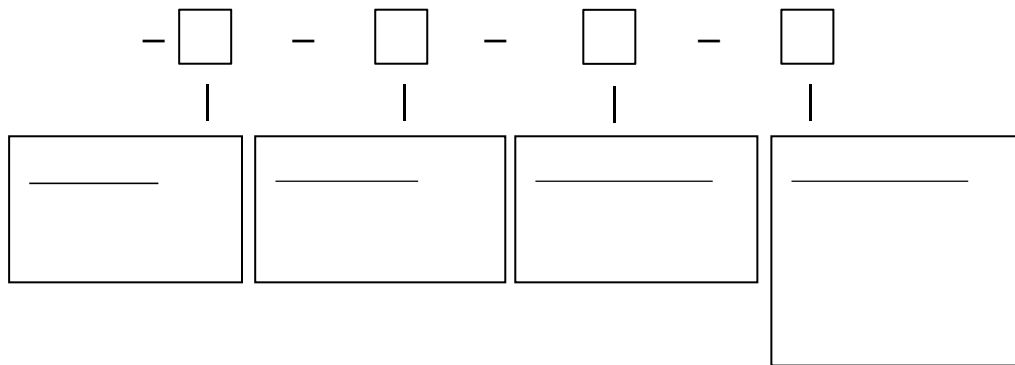


Type F

LD+/PD-/CASE



BOTTOM VIEW



**Statement**

---

**Contact Information:**

---

---