



2.5G 850 C EL LD -CA

A

F

A^A
A

A A

AA A

Absolute Maximum Ratings:

Parameter	Symbol	Min.	Max.	Unit

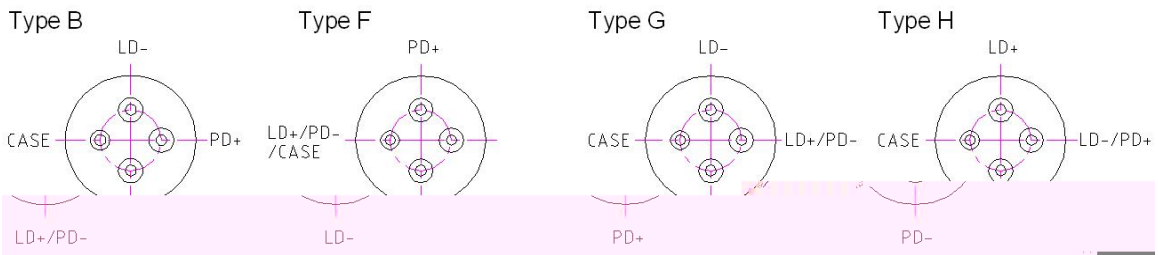
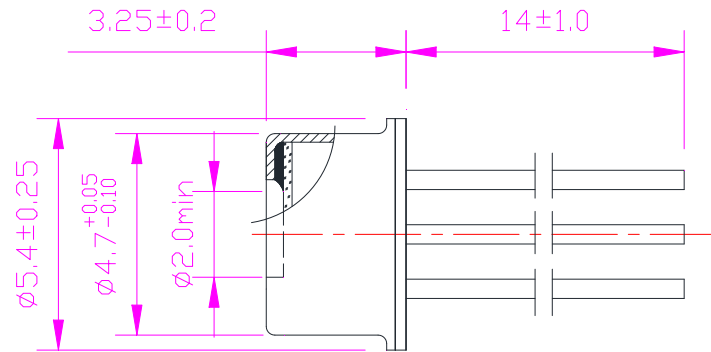
Characteristics Ta=25 unless otherwise noted

Parameter	Symbol	Test Conditions	Min.	Typ.	Max.	Unit
	λ					
	$\Delta\lambda$					
	η					

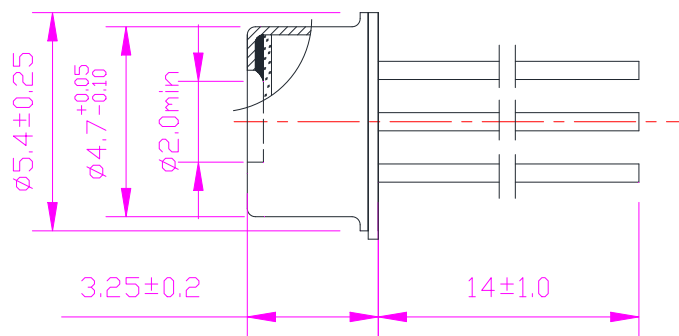


								μ
A	D	A	A	A	:	A	A	

LD 850nm VCSEL 2.5G-T046-4pin-FW:



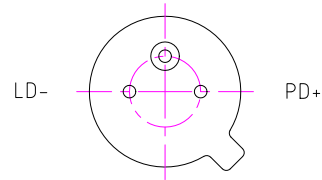
LD 850nm VCSEL 2.5G-T046-3pin-FW:





Type F

LD+/PD-/CASE



BOTTOM VIEW

I

:

A

LD 850 C EL — — — —

Statement

